

POOL SAFETY STANDARDS

CHECKLIST FOR POOLS BUILT OR INSTALLED AFTER 1/05/2013 - Australian Standard AS1926.1 - 2012

DOES YOUR POOL MEET THE SAFETY STANDARDS?

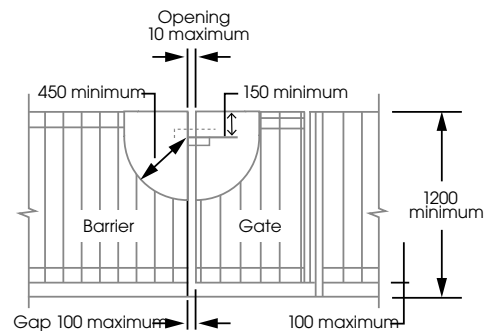
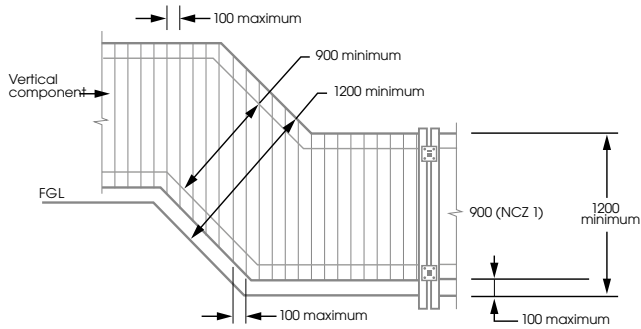
1. The pool fence must be at least 1200mm high all the way around measured from the outside of the pool. Yes No
2. If a boundary fence forms part of the pool fence, it must be at least 1800mm high measured from the inside of the pool area. Yes No
3. The gap between the bottom of the fence and the ground is no more than 100mm. Yes No
4. The gap between all vertical or near vertical rails on the fence is less than 100mm. Yes No
5. There are no potential hand holds or foot holds within 900mm of the top of the pool fence in any direction. Yes No
6. There must be a 300mm clearance from the barrier inside the pool area. Yes No
7. If perforated or mesh fencing is used, the holes must be 13mm or less. Yes No
8. Your pool fence must be well maintained and in a good state of repair (eg no holes, broken rails or palings) Yes No
9. The gate must be self closing and latch by itself from any position. Yes No
10. The gate latch must be working well so that the gate is secure and, once closed, can't be pulled open. Yes No
11. The gate must open outwards, away from the pool. Yes No
12. The gap between vertical barriers of a gate must be no more than 100mm. Yes No
13. The gate latch must be 1500mm above ground level,
or
if located inside the gate, 1200mm above ground level and at least 150mm below the top of the gate. Yes No
14. Are you aware that it is dangerous and against the law to prop the gate open. Yes No
15. If a wall forms part of the barrier, there are no openings greater than 100mm. Yes No
16. All windows can only open to a maximum of 100mm,
or
the windows must be totally covered by bars or a metal screen. Yes No
17. The height from the sill of the lowest opening panel of a window (to the pool area) has to be 1800mm from the floor. Yes No
18. There must be an appropriate warning sign, including details of resuscitation (CPR) techniques, in the immediate vicinity of the pool area and which can be easily read from a distance of 3 metres. Yes No
19. Your pool fence must be clear of any objects such as BBQs, trees, rocks, shrubs and deckchairs that could help a small child climb over the fence. Yes No

If you have answered 'NO' to any of the above, please provide comments below and / or further explanation and contact your Blue Haven Pools representative.

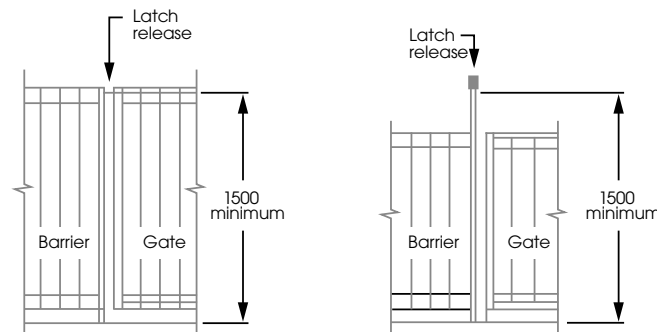
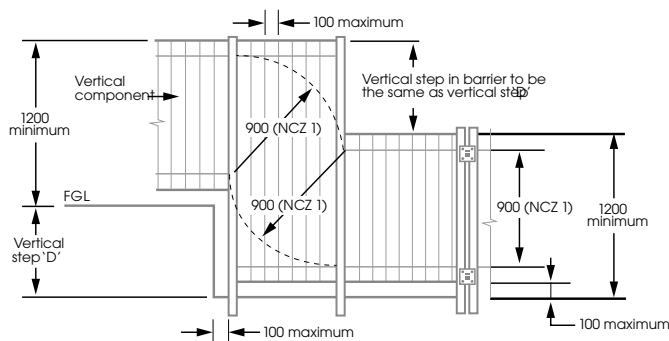
POOL BARRIER GUIDE

CHECKLIST FOR POOLS BUILT OR INSTALLED AFTER 1/05/2013 - Australian Standard AS1926.1 - 2012

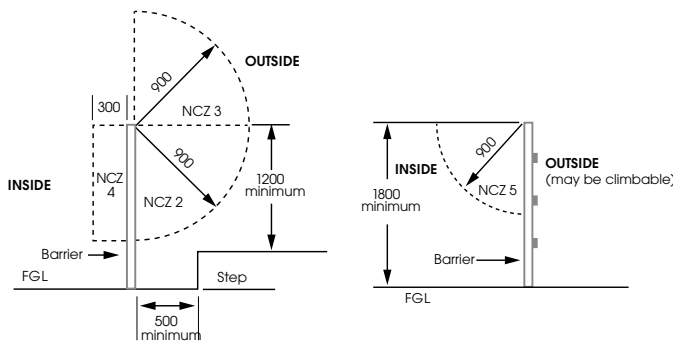
BARRIER GUIDE



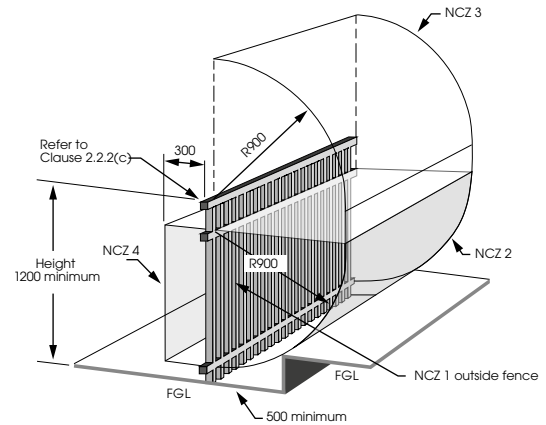
Basic requirements



Shield not required for latch or release located not less than 1500 above FGL



NCZ 2 at top of barrier



DEFINITIONS OF NON CLIMBABLE ZONES

- NCZ1 is a 900mm vertical plane on the outside face of a barrier.
- NCZ2 is a quadrant on the outside of a barrier created by a 900mm radius down from the top of NCZ1.
- NCZ3 is a quadrant on the outside of a barrier created by a 900mm radius up from the top of the barrier.
- NCZ4 is required on all barriers with vertical openings 10mm to 100mm in width and is a 900mm high x 300mm wide deep rectangular space on the inside of the barrier.
- NCZ5 applies to all 1800mm boundary barriers only and is the quadrant on the inside of the barrier created by a 900mm radius down from the top of the boundary barrier.

While all care has been taken, the information contained within this brochure is to be used as a guide only and does not list all swimming pool barrier compliance requirements. A full list of the requirements can be found in the Swimming Pool Act 1992, Swimming Pool Regulation 1998 and the applicable version of Australian Standard AS1926 relevant to your swimming pool. Blue Haven Pools, its employees, agents and other representatives will not accept any liability suffered or incurred by any person in connection with the reliance of the information contained within this brochure.