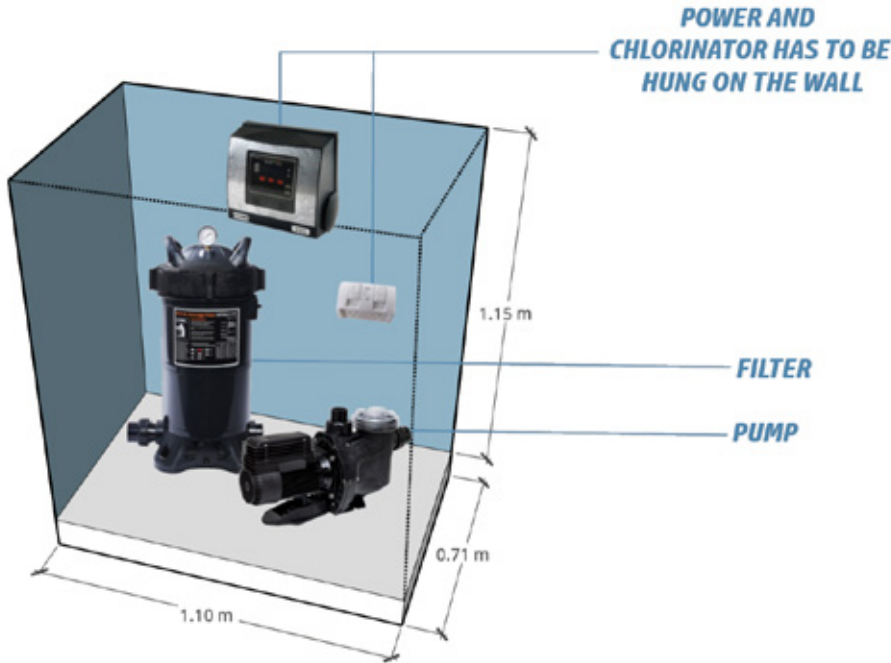




CHLORINATOR OR MINERAL SYSTEM, FILTER & PUMP

FOOTPRINT - DEPTH 710MM X LENGTH 1100MM

MINIMUM ENCLOSURE - HEIGHT 1150MM



Base Configurations

We can provide pre-cast slabs for the filtration equipment to sit on but most customers choose to provide a permanent concrete slab area for the filtration to sit on as part of their overall landscaping vision.

This can be tiled, concrete or even deck area. We also place equipment inside of garages, sheds or other existing structures with the pipework being fed through the walls where necessary.

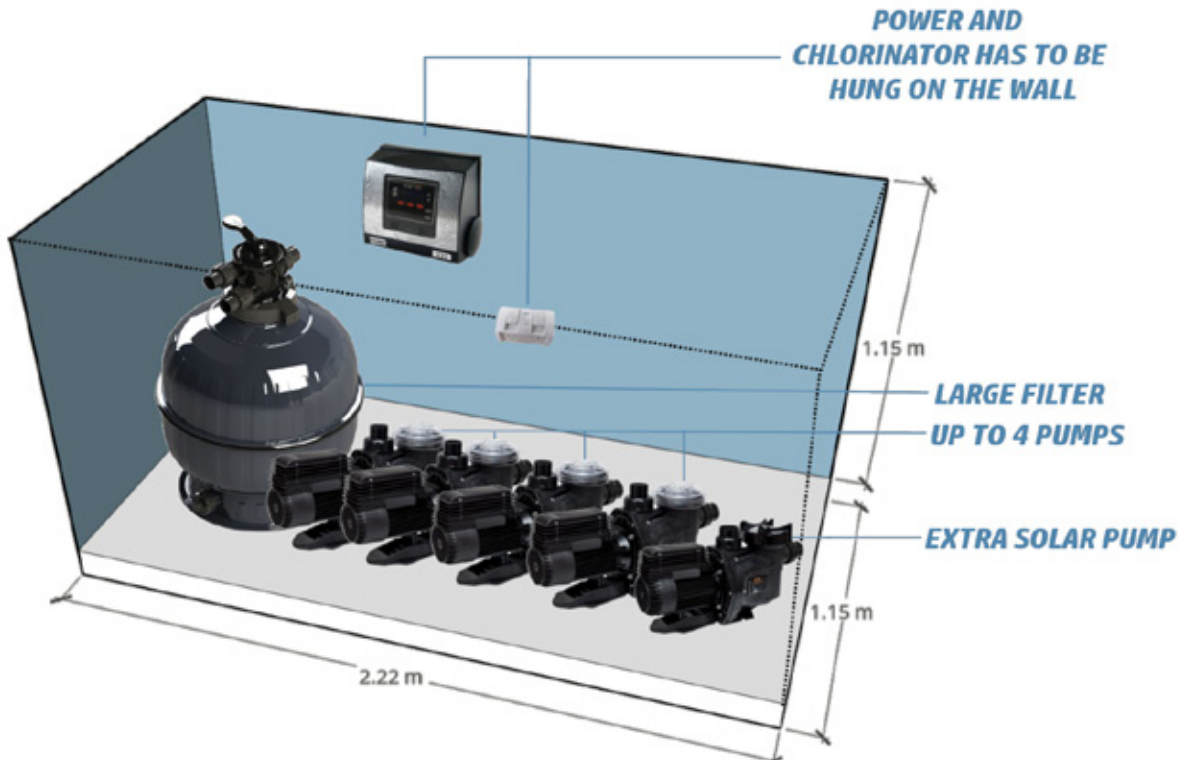
The footprint for your equipment would be 2 sqm to 4 sqm depending on the equipment contracted.

This does not include heating space.

CHLORINATOR OR MINERAL SYSTEM, BIG FILTER UP TO 4 PUMPS AND EXTRA SOLAR PUMP

FOOTPRINT - DEPTH 1150MM X LENGTH 2220MM

MINIMUM ENCLOSURE - HEIGHT 1150MM



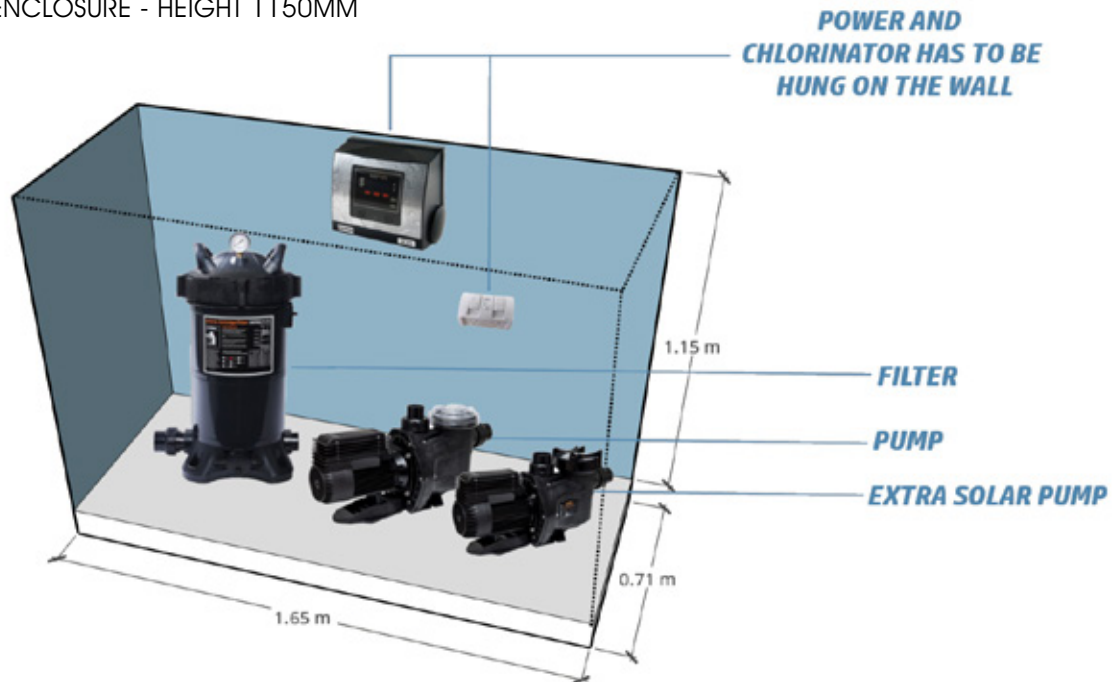


Pre-cast concrete slab configurations (cont.)

CHLORINATOR OR MINERAL SYSTEM, FILTER, PUMP & EXTRA SOLAR PUMP

FOOTPRINT - DEPTH 710MM X LENGTH 1650MM

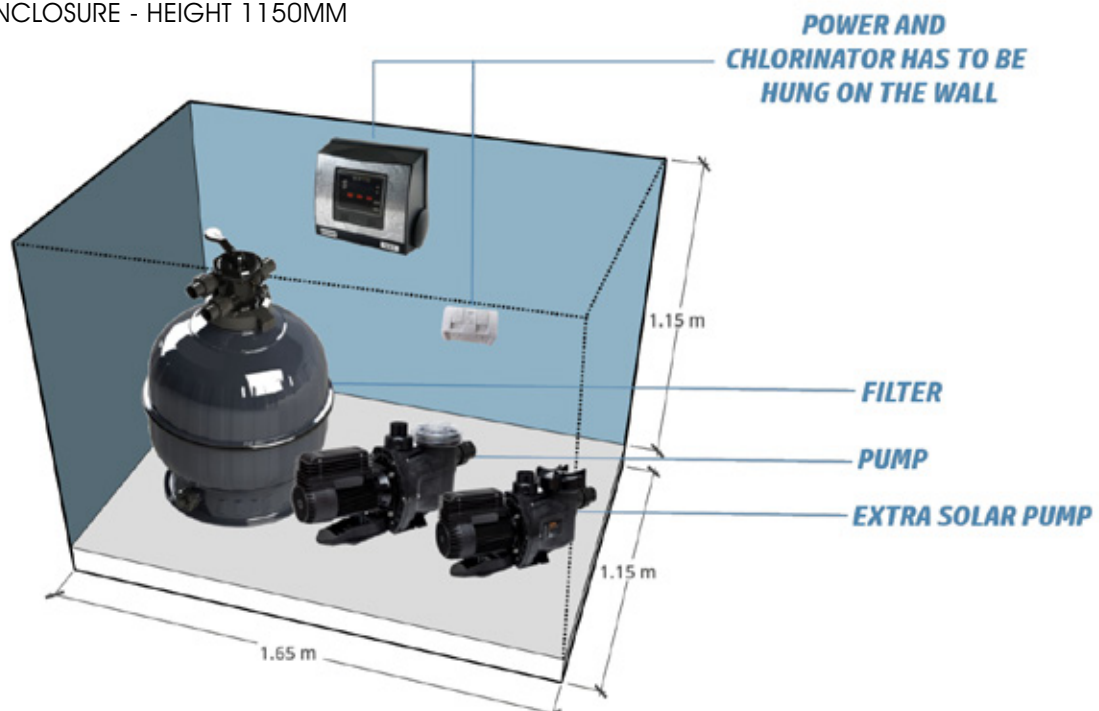
MINIMUM ENCLOSURE - HEIGHT 1150MM



CHLORINATOR OR MINERAL SYSTEM, FILTER, PUMPS AND EXTRA SOLAR PUMP

FOOTPRINT - DEPTH 1150MM X LENGTH 1650MM

MINIMUM ENCLOSURE - HEIGHT 1150MM





Filtration under decking

When installation of filtration is under decking, the height of enclosure should be double your cartridge filter height.

NOTE: A sand filter is better for low space as it doesn't require double the height space for cartridge removal.



Alternative filter locations

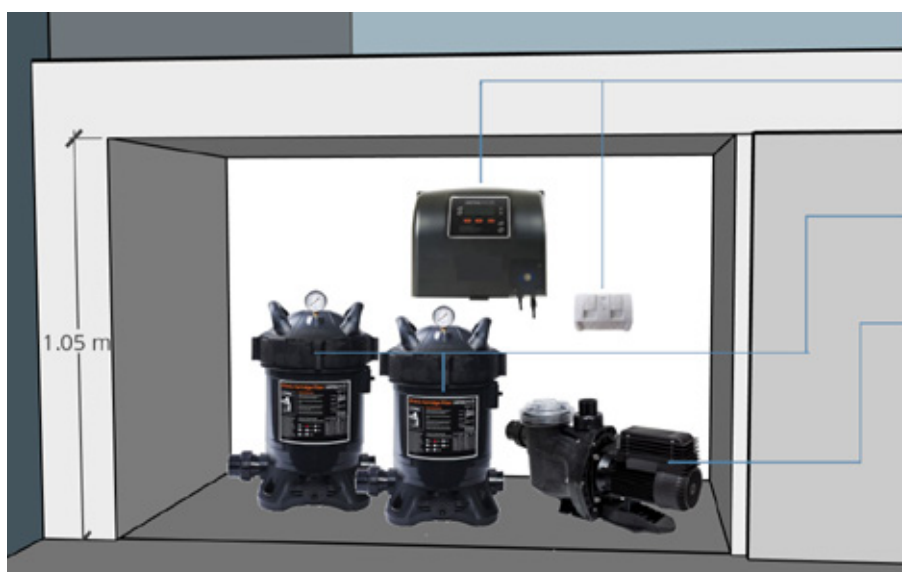
There is also an option if possible to put the pool filtration in an existing garage or ancillary.



CHLORINATOR OR MINERAL SYSTEM, 2 ZX50 FILTERS & PUMP

UNDER DECK - DEPTH 1500MM X LENGTH 750MM

MINIMUM HEIGHT 1150MM (TO ENABLE REPLACEMENT OF FILTER CARTRIDGE)



**POWER AND
CHLORINATOR HAS TO BE
HUNG ON THE WALL**

2 SHORT FILTERS

PUMP